



VETERINARY SURGICAL TABLE
MODEL: ATLAS
atlas



SURGICAL TABLE ATLAS



4,167 m

31° 03' 42" N, 7° 54' 57" O

ERGONOMIC DESIGN AND HIGH QUALITY MATERIALS

Choose which suits your needs:

V TOP / FLAT

ELECTRICAL / HYDRAULIC

VARIOUS ACCESSORIES



MC040402

ELECTRIC - "V" TOP

MC040403

HYDRAULIC - "V" TOP

MC040422

ELECTRIC - FLAT

MC040432

HYDRAULIC - FLAT



MC040412

ELECTRIC - "V" TOP

MC040413

HYDRAULIC - "V" TOP

MC040423

ELECTRIC - FLAT

MC040433

HYDRAULIC - FLAT

WARRANTY



ATLAS COLOUR · ELECTRIC · TOP "V"



ATLAS COLOUR · HYDRAULICA · TOP "V"



ATLAS · HYDRAULICA · FLAT



ATLAS COLOUR · ELECTRIC · FLAT

www.everest-tecnovet.com

+34 93 668 6715 · info@everest-tecnovet.com





The only one with
BILATERAL
drive hidraulic

DRIVE HYDRAULIC

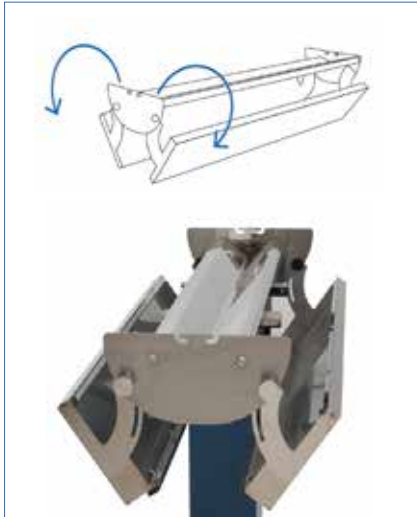
DOUBLE PEDAL

It allow to adjusts the height from any side.

DRIVE ELECTRIC

PNEUMATIC CONTROL, MORE SECURITY

Without electrical contact between the user and the table. Without risk of accidents caused by bites from the patient to an electric drive.



V TOP SURFACE

EASY CLEAN SYSTEM

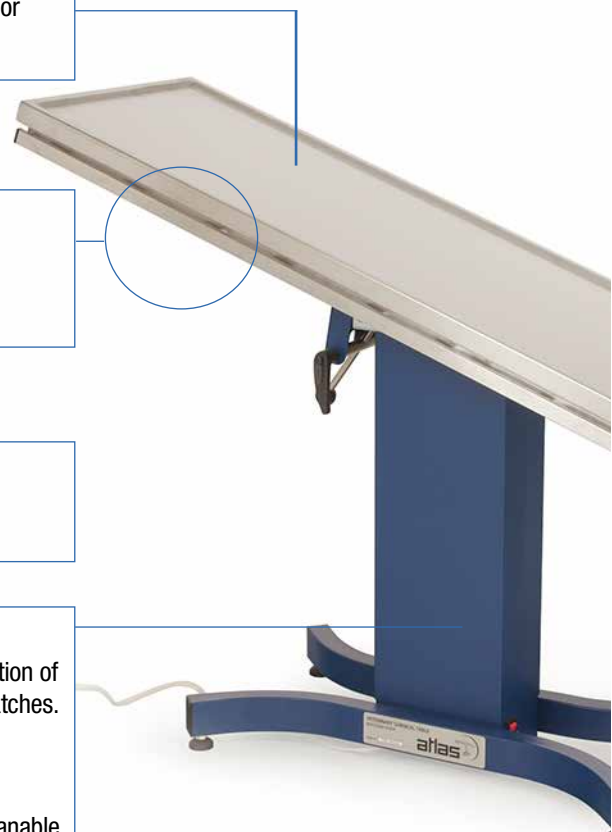
V TOP surface semi - detachable facilitates the cleaning of the table in 3 easy steps

**HOOK FOR WASTE CUBE
+ DRAIN**



FLAT SURFACE

Very comfortable and clean workspace with re-edge perimeter that prevents liquids or other accidental fall to the ground.



RAILS

it allows the placement of accessories, lamps, or animal attachment clips

EUROPEAN STANDARD ACCESSORY FIXING

STAINLESS STEEL

Solid and durable construction.
Stainless Steel AISI 304 and 430.

GALVANIZED STEEL

Duration exceptional, comprehensive protection of parts, higher hardness and resistance to scratches.

EPOXY PAINT

High resistance to chemicals and friction, resistance to atmospheric agents, easily cleanable and waterproof.

SELF-LOCKING WHEELS

High quality. Manufactured in Germany.

Available ACCESSORIES
See next page

INOX SURFACE

ERGONOMIC surfaces



Adapted thinking
about your health



	ATLAS		ATLAS COLOUR	
	ELECTRIC	HIDRAULIC	ELECTRIC	HIDRAULIC
"V" TOP	useful work: 140 x 48 cm / TOTAL: 146 x 48 cm		useful work:: 124 x 46 cm / TOTAL: 131 x 49,6 cm	
FLAT with flange	useful work: 135,4 x 44,5 cm / TOTAL: 140 x 48,4 cm		useful work: 135,4 x 44,5 cm / TOTAL: 140 x 48,4 cm	
CAPACITY	200 Kg	1000 Kg	200 Kg	1000 Kg
RAILS	4	4	2	2

BASE



	ATLAS		ATLAS COLOUR	
	ELECTRIC	HIDRAULIC	ELECTRIC	HIDRAULIC
DRIVE	ELECTRIC	HIDRAULIC	ELECTRIC	HIDRAULIC
SELF-LOCKING WHEELS	✓	✓	-	-
MATERIAL	STAINLESS STEEL AISI 304 / 430		GALVANIZED STEEL + Epoxi Paint	
TILT	30° Trendelemburg 10° Anti-Trendelemburg		30° Classic - Trendelemburg	
HEIGHT	máx. 115	máx. 116	máx. 110	máx. 111
	mín. 85	mín. 86	mín. 80	mín. 81
CAPACITY	200 Kg	1000 Kg	200 Kg	1000 Kg

ACCESSORIES INCLUDED



	ATLAS	ATLAS COLOUR
ANIMAL FIXATION CLAMP	4 ✓	4 ✓
CLAMPS FOR ACCESSORIES	2 ✓	1 ✓
TRAY FOR SURGERY TABLE	✓	-
IV HOLDER	✓	✓
ARC (to subject animals)	✓	-

*Clamps and accessories can be purchased separately

WARRANTY

