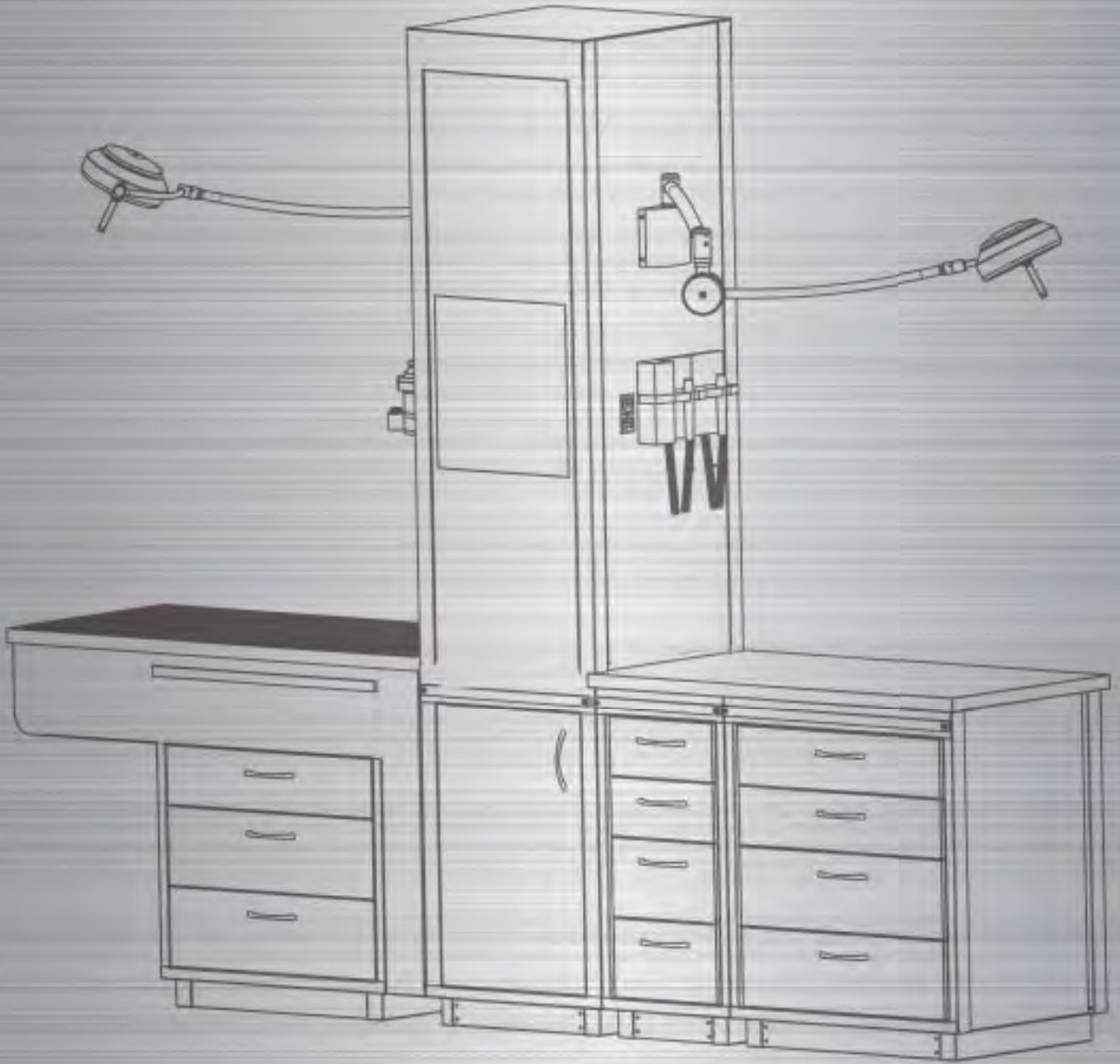
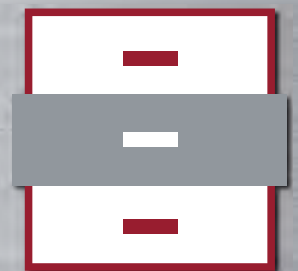


TOWER OF SUPPLIES AND EQUIPMENTS



Technical Furniture

CHAMONIX



Discover the latest in veterinary technology

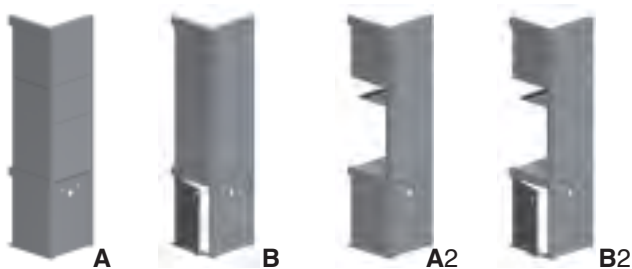
DESIGNED, REGISTERED AND PATENTED BY



TOWER OF SUPPLIES AND EQUIPMENTS

TOWER TYPES / CUSTOMIZE

ECONOMIC



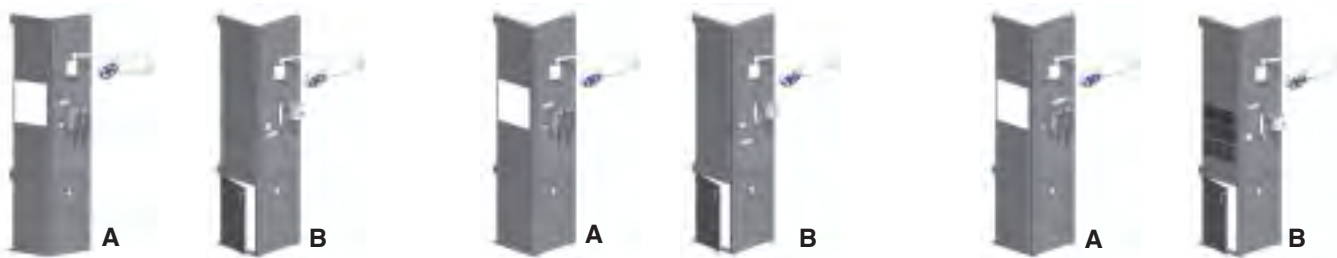
We have different types of tower to find the one more suits your needs.

If you want something even more especial, you choose and we do it for you with the equipment and accessories you want.

MEDIUM

EXCELLENCE

TOP



ACCESSORIES AND EQUIPMENT

IT COULD BE PURCHASED ACCORDING TO THE PARTICULAR NEEDS OF EACH USER, **CHAMONIX TOWER** OFFERS A LARGE RANGE IF ITEMS FOR MAKING THE IDEAL PRODUCT.



HEINE Diagnostic Equipment:
2 or 3 units of power for every instrument: otoscope, ophthalmoscope, rhinoscope, etc. 2-4 Schuko plugs



Integrated anesthesia machine
With or without vaporizer, Selectatet connection. Manometer and security alarms. Oxygen Valve accessory for emergencies.



Gas valves and connections:
Oxygen, air, vacuum, vacuum exhaust, air motor. Norms: AFNOR, DIN, other consulting



Lights: wide range of examination and surgical lamps.

PLUGS - SAFETY SWITCH - DATA CONNECTION - CONNECTION TELEPHONE - VIDEO CONNECTIONS: HFMI, RGB, S-VIDEO, DVI, TV, SATELLITE - COMMUNICATION CONNECTIONS: RJ45, RJ11, USB, VIDEO, WIFI, ETC - VALVES AND GAS CONNECTIONS "OXYGEN, AIR, AIR MOTOR, VACUUM EXHAUST" - GROUNDING AND EQUIPOTENTIAL- HOSPITAL SIGNALING – ICONOGRAPHIC SIGNALS: DOG, CAT, NO PHONES, ETC - NEGATOSCOPES – SAFETY, RECORDING AND MAINTENANCE: "MCB, DIFFERENTIAL, ETC" SUPPORT: SOME EQUIPMENTS, MONITORS, ELECTROCARDIOGRAPHS, TELEPHONE, ETC - POWER SUPPLY: 4, 6, 8 PLUGS, SWITCHES, ETC - MODULES FOR WATER TAPS – INTEGRATED DENTAL EQUIPMENT - HEINE DIAGNOSTIC EQUIPMENT - ANESTHESIA EQUIPMENT – MONITOR OR TV SCREEN - INTEGRATED COMPUTER - DRAWER ORGANIZERS – LIGHTING

NEUTRAL MODULE: DO NOT HAVE ANY ACCESSORY.
IT COULD BE PURCHASED TO PUT A CUSTOMER DEVICE OR FOR SPECIFIC NEEDS.

INSTALLATION RESTRICTIONS:

CHAMONIX requires a minimum ceiling height 2.5 m (concrete or intermediate ceiling). All supplies (electrical, data, gases, etc.) must be provided through the ceiling, only water drain is below, in the ground . Recommended diameter 60 mm. Installation of the equipment is supervised by specialized Everest staff. It is imperative to install an equipotential grounding. Manufacturing time: 3-6 months.

TOWER OF SUPPLIES AND EQUIPMENTS



**UNIQUE
IN EUROPE**

**100%
CUSTOMIZABLE**



COLORS



CHAMONIX TOWER

=



A

+



B

+



CHAMONIX

+ ACCESSORIES
AND EQUIPMENT

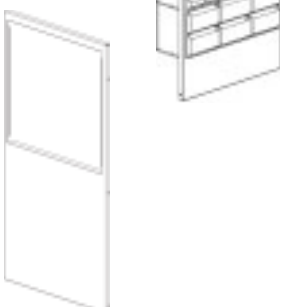


Connections and plugs



Drawer organizers

Negatoscopes



**CHAMONIX TOWER PROJECT BEGINS
WITH THE NEED TO PROVIDE AN EQUIPMENT
THAT UNITES IN ONE AREA ALL THE
NECESSARY ELEMENTS FOR THE TASKS OF
PRE-OPERATING ROOM AND PRE-HOSPITAL**

**A tower consists of a square about 57 x 57cm, all
4 sides are divided into 2 "A and B" forming a couple;
one is the active face where equipments are located,
and the other is passive, where it forms the square,
this may or may not include equipment**

A: It is intended for diagnosis, analysis, etc

**B: It is intended for washing and pre-surgical treatment
and surgeries performed in the tub-table**

Cupboard: is in all the Chamonix



DESIGNED, REGISTERED AND PATENTED BY



WITH UNI OR BIDIRECTIONAL DRAWERS



NEW FUNCTIONAL TECHNICAL FURNITURE

IT FACILITATES SPACE MANAGEMENT!

One furniture, multiples uses

Designed and built to suit your needs.

Fully customizable

We can offer by using standard modules any configuration or personal project.

100% Opening Drawers

Observe and choose, every corner of the drawer in sight.

Uni and Bidirectional

Open the drawer where you need it.

Stainless steel tray

Special trays can be removed and cleaned, through a sanitary curve. Gastronorm Standard.

Guaranteed construction

The use of noble materials offers an unlimited life. Stainless steel and galvanized steel











DESIGN YOUR NEW WORKSPACE

- Based System Drawers.
- It provides access to products.
- Fully open, there is no wasted space or difficult to access.
- Metallic.
- Longer.
- Resistant to water and other chemicals.
- Have the strength of stainless steel and galvanized steel also, able to withstand the harshest environmental conditions.
- Have elements to facilitate the work: 27 x 36 cm sink (no tap), and splash guard (we recommend installation in areas of water).
- Longitudinal rail to hold patients and / or standard accessories.
- There are various colors to match and also the possibility to create your favorite color.
- The design can be tailor made on a small budget.
- Modular construction system the way you want (straight, L, U, central island or wall).
- Custom projects and/or designed in collaboration with Everest.



Modules composition

MODULE	CODE	DESCRIPTION
	MM01	CHAMONIX module 390 x 572 x 890 mm. 4 drawers, colors to choose.
	MM02	CHAMONIX module 390 x 572 x 890 mm. 1 door to the right. Color RAL 7035 "light gray"
	MM03	CHAMONIX module 390 x 572 x 890 mm. 1 door to the left. Color RAL 7035 "light gray"
	MM04	CHAMONIX module 715 x 572 x 890 mm. 4 drawers, colors to choose.
ELEMENT	CODE	DESCRIPTION
	MM05 MM06 MM07	Surface of 1170 x 600 x 35 mm Surface from 1175 to 1900 x 600 x 35 mm Surface from 1905 hasta 2900 x 600 x 35 mm
	MM08	To insert a sink on the surface with splashes edge. All welded. This element includes splash guard always.
	MM09	Splash guard. According to project.
ELEMENT	CODE	DESCRIPTION
	MM10	Tub-table with grill, all in stainless steel. 1300 x 600 mm

Colors

6 colors to choose:



REF. 6016



REF. 4008



REF. 1021



REF. 3011



REF. 5010



REF. 7035

Multiple combinations:

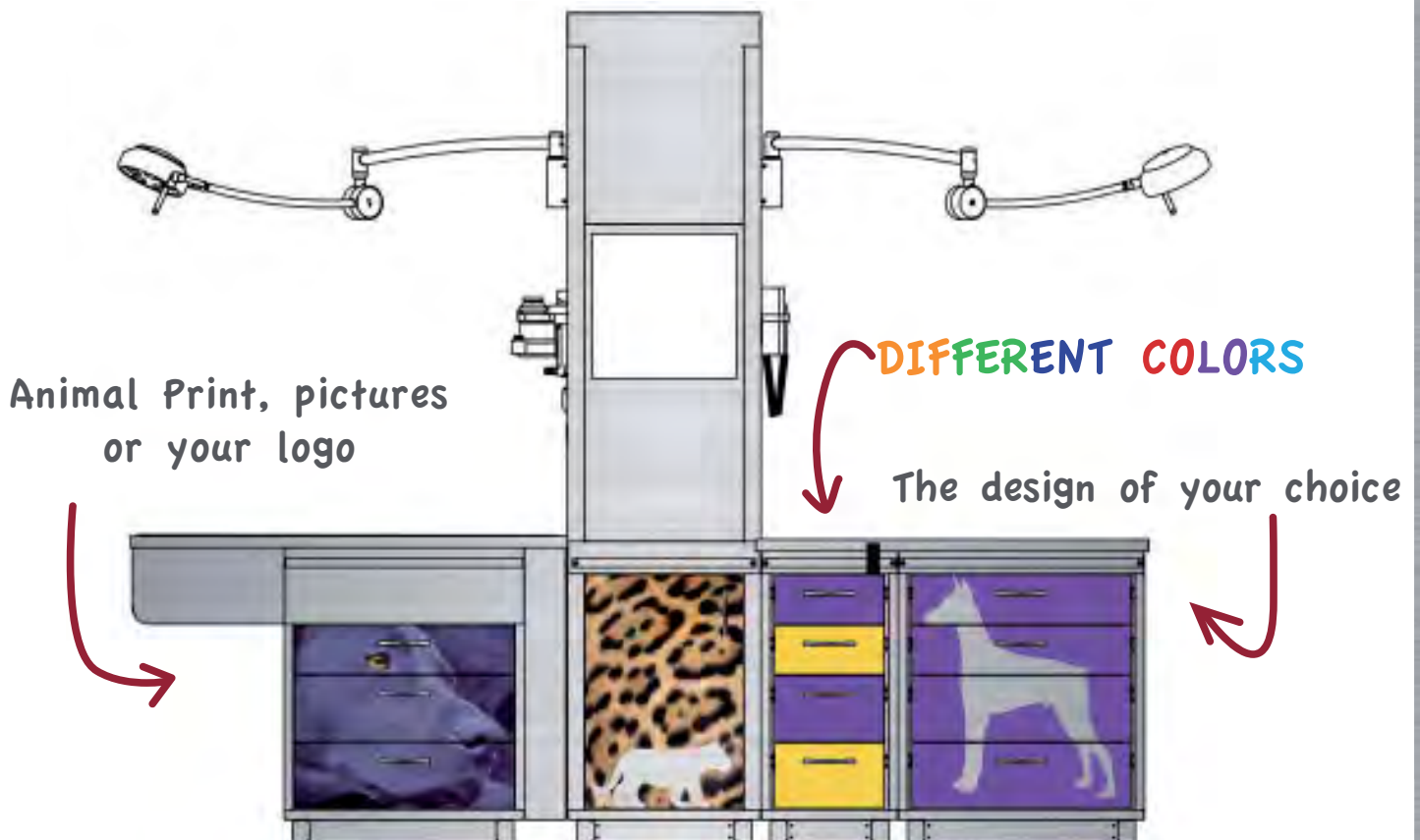


Technical Furniture
CHAMONIX



Make your CHAMONIX exclusive and decorative

Vinyl Prints with any image or picture or with your logo.
CHAMONIX, more customizable than ever!



C/ Francesc Layret, 9 - Poligono Industrial El Pla
Molins de Rei - Barcelona - 08750

Tel. 902 10 8848 / 93 668 67 15 Fax. 93 668 66 61

international@everest-tecnovet.com www.everest-tecnovet.com

